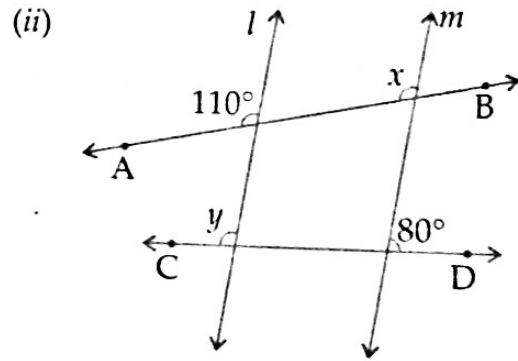
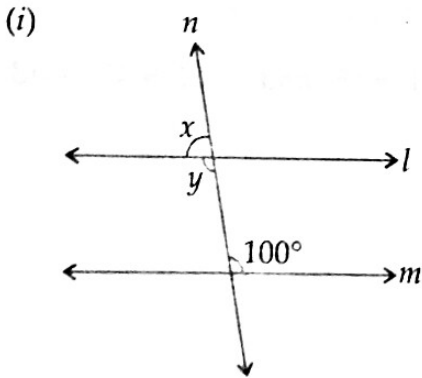
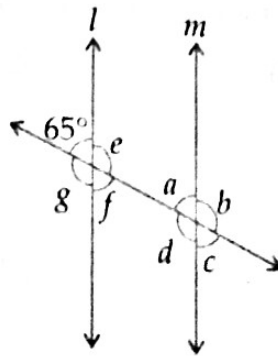


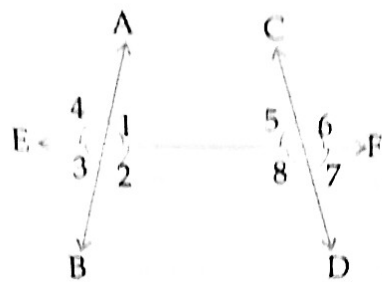
9. In each of the following figures, $l \parallel m$, find the values of x and y .



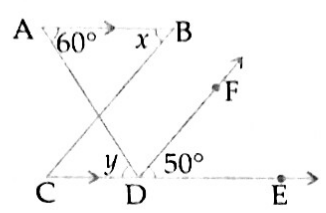
10. In the given figure, $l \parallel m$, find the unknown angles.



11. Using the given figure, name the following angles :



- (i) Corresponding angles
 - (ii) Alternate interior angles
 - (iii) Alternate angle of $\angle 2$
 - (iv) Angle corresponding to $\angle 7$
 - (v) Pairs of interior angles on the same side of the transversal.
12. In the given figure $AB \parallel CE$ and $DF \parallel CB$, find the values of x and y .



13. In the following figures, a transversal n cuts two lines l and m .

